

ENERGY POWER

MARKETED BY



1800 Roswell Road, Suite #2200
Marietta, GA 30062
1-888-823-0954

www.energybattery.com

EP-SLA12-80 FT

12V 80 AMP H

FEATURES:

- Superior performance with Absorbent Glass Mat (AGM) technology
- Safe operation with valve regulated, spill proof construction
- Unrivalled performance of delivered energy of any battery in its class
- UL Certified under file # MH47790
- Rugged impact resistant ABS case and cover
- Ease of movement with integrated ABS carrying handles
- Approved for transport by air. D.O.T., I.A.T.A., F.A.A. and C.A.B. certified

To ensure safe and efficient operations please refer to www.energybattery.com. All specifications subject to change without notice.



SEALED RECHARGEABLE BATTERY

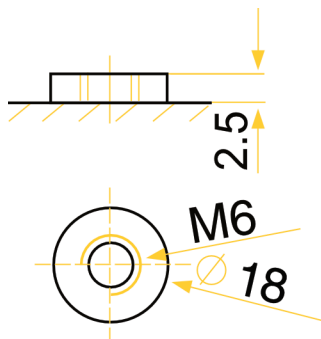


TERMINALS (mm):

Bolt

Recessed type

Tolerance +/- 0.1mm. All data subject to change without notice.



PHYSICAL DIMENSIONS:

	inches	mm
L:	15.63	397
W:	4.33	110
H:	11.26	286
HT:	11.26	286

Tolerance +/- 2mm. All data subject to change without notice.

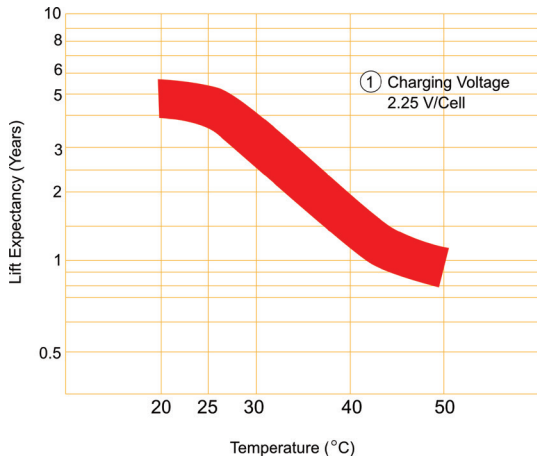
PERFORMANCE SPECIFICATIONS:

Nominal Voltage 1.80V/cell
Nominal Capacity (25°C (77°F))
 10-hr. F.V.(1.80V/cell) 80.00 Ah
Approximate Weight 62.83 lbs (28.50 kgs)
Internal Resistance (approx.)..... 5.5 milliohms
Case..... ABS Plastic

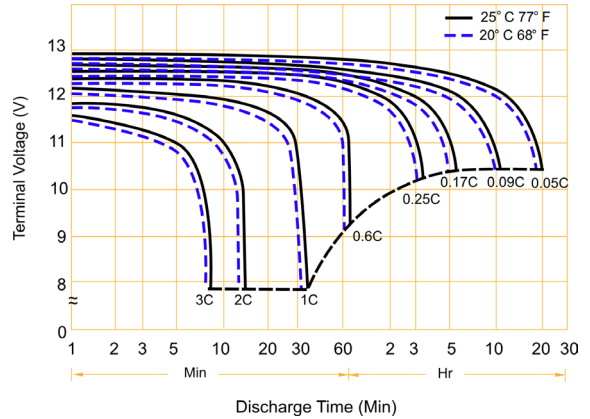
Capacity Affected by Temperature (at 20 hour rate)
 40°C..... 102%
 25°C..... 100%
 0°C 85%
 -15°C 65%

Self-discharge (remaining capacity % at 25°C)
 3 Months..... 91%
 6 Months..... 82%
 12 Months..... 64%

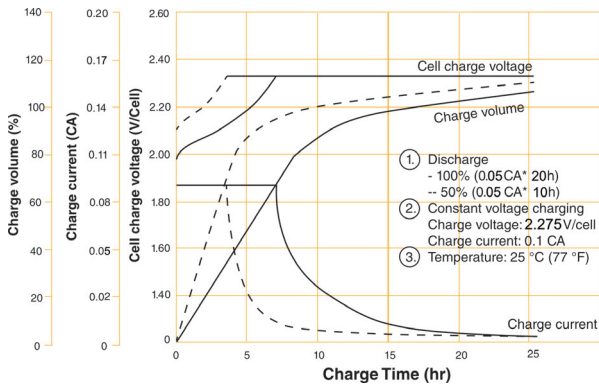
TRICKLE (OR FLOAT) SERVICE LIFE



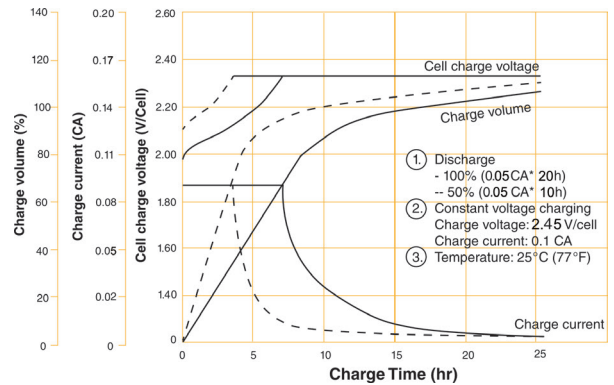
TERMINAL VOLTAGE AND DISCHARGE TIME



BATTERY CHARGING CHARACTERISTICS FOR STANDBY USE



BATTERY CHARGING CHARACTERISTICS FOR CYCLIC USE



BATTERY CHARGE CHARACTERISTICS FOR CYCLE USE & STAND-BY USE

Application	Charge Voltage (V/Cell)			Max. charging current (CA)
	Temperature	Set Point	Allowable Range	
For standby power source	25 C	2.275	2.25~2.30	0.3C
For cycle service	25 C	2.450	2.40~2.50	0.3C

